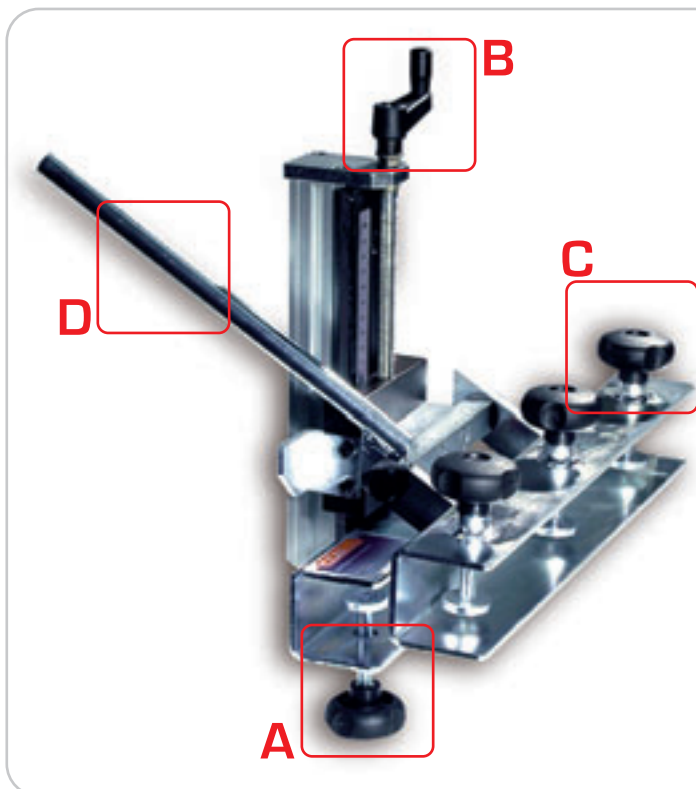


BS MANUAL SILK-SCREEN PRINTING EQUIPMENT

TECHNICAL AND FUNCTIONAL CHARACTERISTICS

A practical and useful item of equipment for a silk-screen printing workshop that can be mounted on any worktop. It is equipped with height adjustment to allow it to adapt easily to the thickness of the support to print.

By using two BS bases mounted in tandem, the equipment can print on large silk-screen printing frames.



TECHNICAL DATA

A - Clamp for anchoring to the worktop

B - Height adjustment handle

C - Frame support clamp

D - Counterweight bar

Minimum worktop thickness	mm	18
Maximum worktop thickness	mm	45
Range	mm	100
Width	mm	400
Minimum frame thickness	mm	18
Maximum frame thickness	mm	45

Maximum printing frame dimension suggested

mm 700 x 500