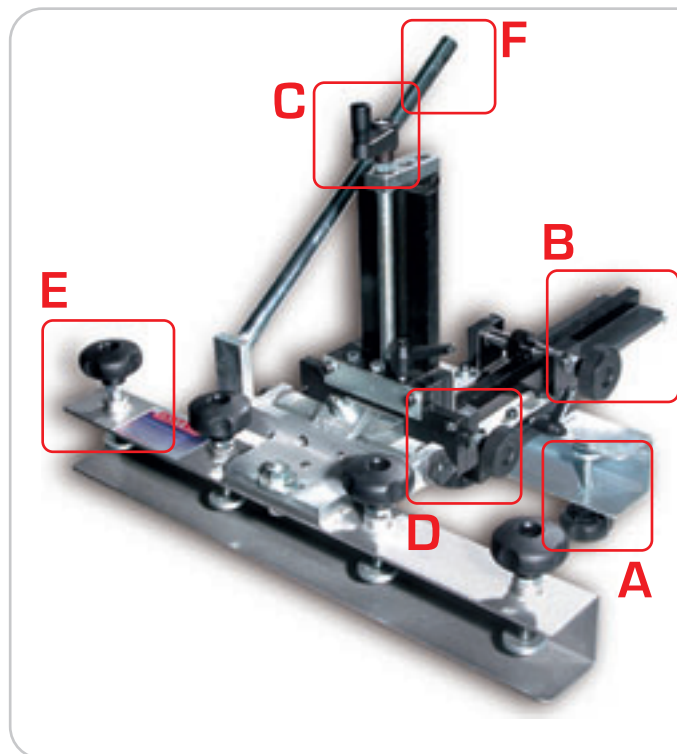


## BSX MANUAL SILK-SCREEN PRINTING EQUIPMENT

### TECHNICAL AND FUNCTIONAL CHARACTERISTICS

A practical and useful item of equipment for a silk-screen printing workshop that can be mounted on any worktop. Equipped with height adjustment to allow it to be easily adapted to the thickness of the support to print, and micrometric adjustment along the X and Y axes for a precise set-up of the subject on the support itself. Each adjustment system has an independent locking device to guarantee perfect positioning.



### TECHNICAL DATA

A - Clamp for anchoring to the worktop

B - Y-axis adjustment handwheel

C - Height adjustment handle

D - X-axis adjustment handwheel

E - Frame support clamp

F - Counterweight bar

Maximum printing frame dimension suggested

Minimum worktop thickness	mm	18
Maximum worktop thickness	mm	45
Range	mm	200
Range	mm	100
Range	mm	50
Width	mm	400
Minimum frame thickness	mm	18
Maximum frame thickness	mm	45

mm 700 x 500